

# TECHNICAL DATASHEET



## OFFSET SIDE PANEL

<b>Barcode</b>	5055369001101
<b>Product Code</b>	NMP135
<b>Finishes</b>	WHITE
<b>Product Type</b>	BATH PANEL

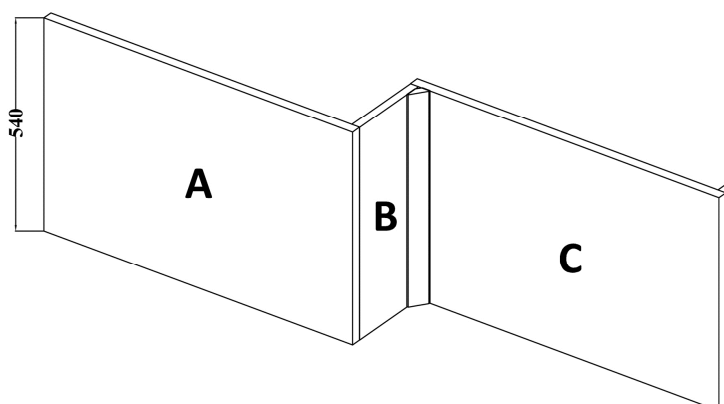
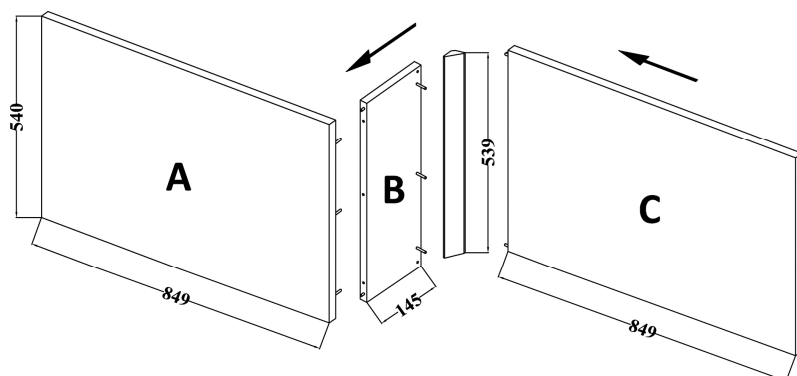


### Guarantee & Aftercare

During installation extra care must be taken to avoid damaging the fittings. We provide a 5 year guarantee against faulty workmanship or materials (excluding serviceable parts), providing they have been installed, cared for and used in accordance with our instructions.

### ADDITIONAL INFORMATION

- ◆ Bath and bath filler sold separately



**CUSTOMER CARE:** For further information please call 01282 446789