

TECHNICAL DATASHEET



KENSINGTON 1700 SLIPPER FREESTANDING BATH

Barcode	5055369032303
Product Code	RL1690T
Finishes	WHITE & CHROME
Product Type	BATH

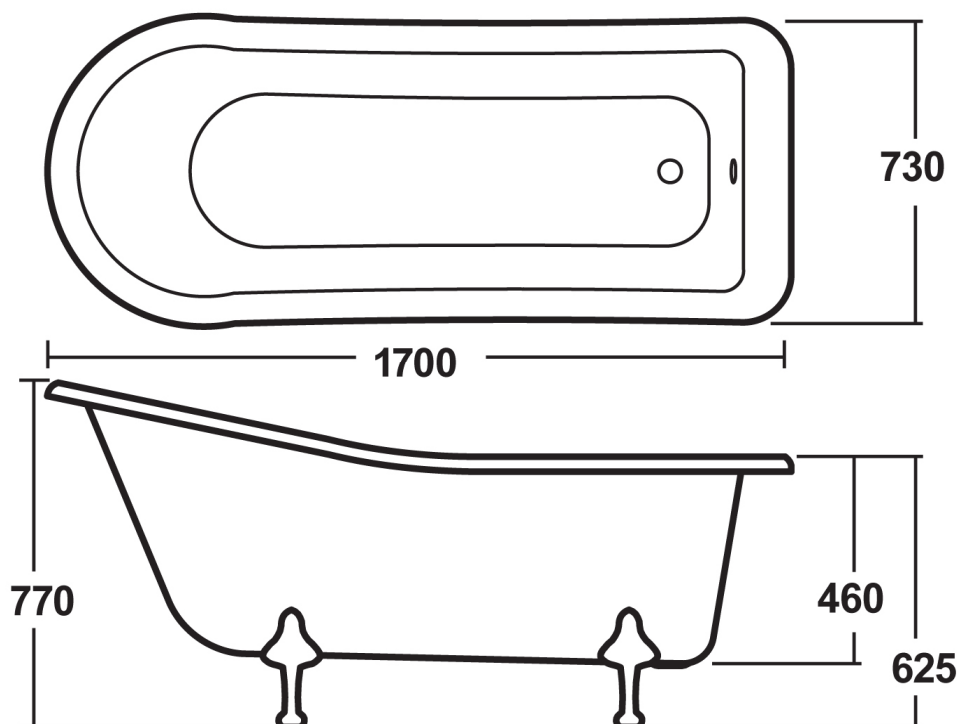


Guarantee & Aftercare

During installation extra care must be taken to avoid damaging the fittings. We provide a 5 year guarantee against faulty workmanship or materials (excluding serviceable parts), providing they have been installed, cared for and used in accordance with our instructions.

ADDITIONAL INFORMATION—The bath complies with the following standards.

- ◆ Supplied with chrome legs



CUSTOMER CARE: For further information please call 01282 446789