

LIP Double Ended Slipper Freestanding Bath

Barcode	5055369030712
Product Code	NFB003
Finishes	WHITE LUCITE ACRYLIC
Product Type	BATH

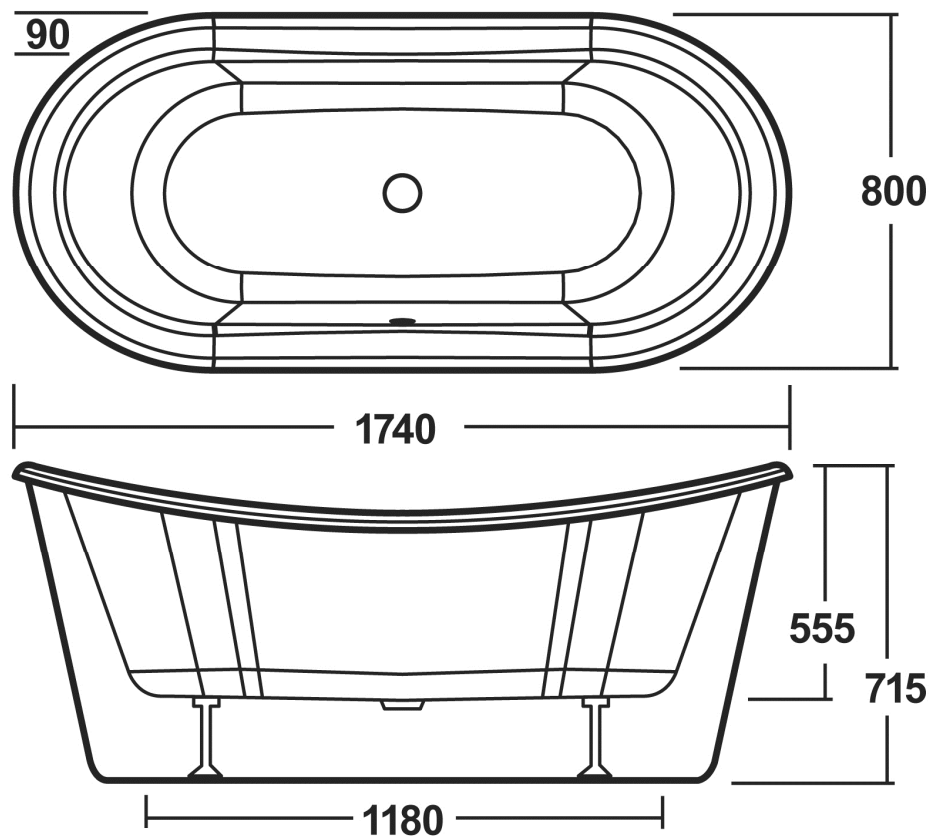


Guarantee & Aftercare

During installation extra care must be taken to avoid damaging the fittings. We provide a 5 year guarantee against faulty workmanship or materials (excluding serviceable parts), providing they have been installed, cared for and used in accordance with our instructions.

ADDITIONAL INFORMATION—The bath complies with the following standards.

- ◆ BS43035: Part 1 : 1989 baths for domestic purposes made of acrylic.
- ◆ BS EN 232: 2003: baths connecting dimensions
- ◆ BS EN 198
- ◆ Supplied with leg set
- ◆ Waste & overflow sold separately



CUSTOMER CARE: For further information please call 01282 446789