

TECHNICAL DATASHEET



TANGENT TOUCH SENSOR BACKLIT MIRROR 700 x 500mm

Barcode	5055369018888
Product Code	LQ033
Product Type	MIRRORS
Standards	BSS7671



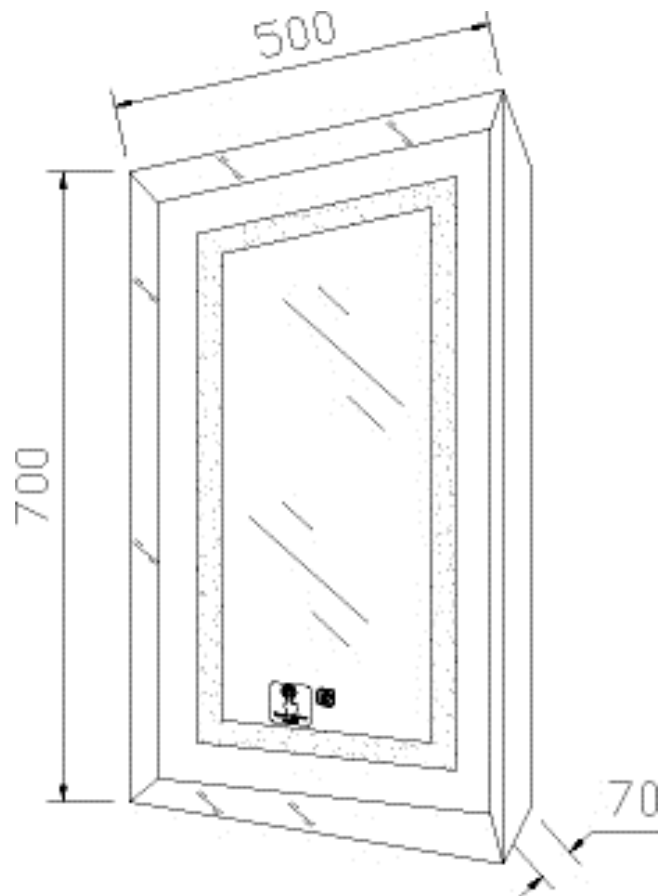
Guarantee & Aftercare

During installation extra care must be taken to avoid damaging the fittings. We provide a 12 month guarantee against faulty workmanship or materials (excluding serviceable parts), providing they have been installed, cared for and used in accordance with our instructions.

ADDITIONAL INFORMATION

- ◆ Touch sensor mirror
- ◆ 9.72w, 12v 1350mm LED strip

Height	700mm
Width	500mm
Depth	70mm



CUSTOMER CARE: For further information please call 01282 446789