

TECHNICAL DATASHEET

TEMPO TOUCH SENSOR BACKLIT MIRROR 550 x 550mm

Barcode	5055369018871
Product Code	LQ032
Product Type	MIRRORS
Standards	BSS7671



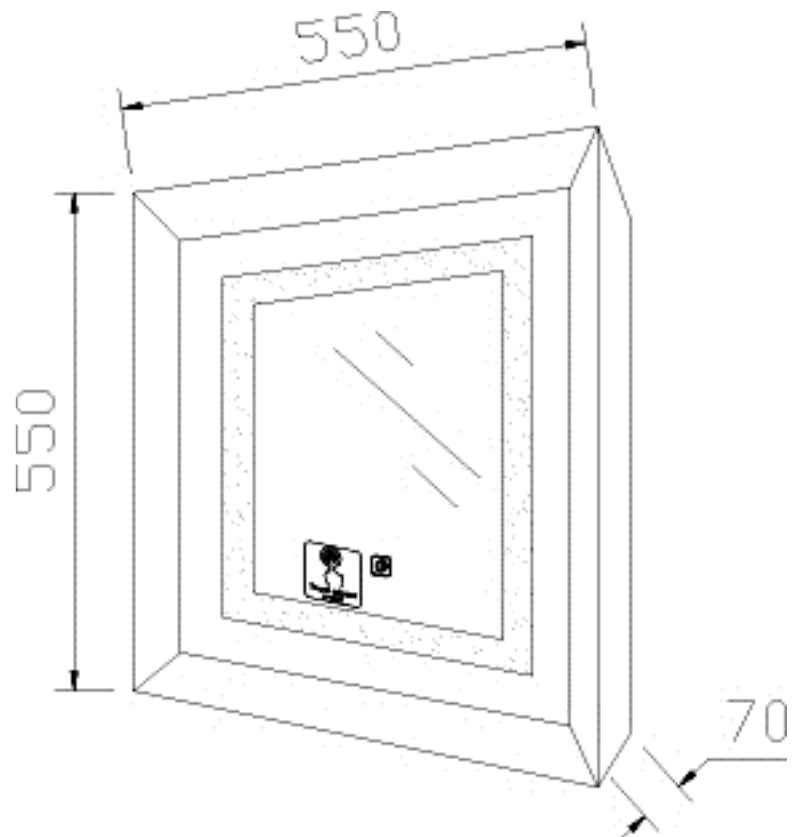
Guarantee & Aftercare

During installation extra care must be taken to avoid damaging the fittings. We provide a 12 month guarantee against faulty workmanship or materials (excluding serviceable parts), providing they have been installed, cared for and used in accordance with our instructions.

ADDITIONAL INFORMATION

- ◆ Touch sensor mirror
- ◆ 7.92w, 12v 1100mm LED strip

Height	550mm
Width	550mm
Depth	70mm



CUSTOMER CARE: For further information please call 01282 446789