

TECHNICAL DATASHEET



DECK MOUNTED VIRTUE BATH SHOWER MIXER

Barcode 5055369025572 & 5055146127949

Product Code TVI304 with SX315

Finishes Chrome

Product Type Bath Shower Mixer

Water Pressure HP1 - 1 bar pressure minimum

Standards Complies with BS5412, EN200

Flowrates

Bar	Flow l/min
0.5	7
1	10
2	14
3	17



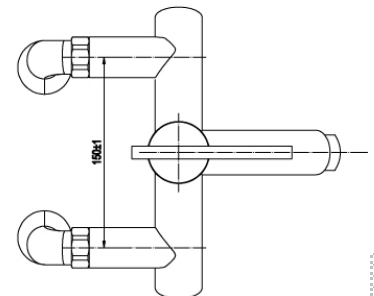
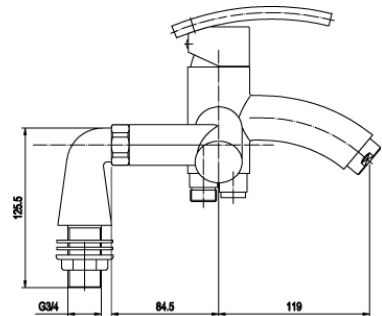
Requirement Suitable for all plumbing systems

Guarantee & Aftercare

During installation extra care must be taken to avoid damaging the fittings. We provide a 5 year guarantee against faulty workmanship or materials (excluding serviceable parts), providing they have been installed, cared for and used in accordance with our instructions.

ADDITIONAL INFORMATION

- **CERAMIC DISC TECHNOLOGY**
- **Supplied with shower kit & wall bracket**



COMPLIANCE: Pending

CUSTOMER CARE:

For further information please call 01282 446789

KEY TO PRODUCT PRESSURE REQUIREMENTS

LP - 0.1 bar min

LP2 - 0.2 bar min

MP - 0.5 bar min

HP1 - 1 bar min

HP2 - 2 bar min