

# TECHNICAL DATASHEET



## Series P Bath Shower Mixer

<b>Barcode</b>	5055369000760
<b>Product Code</b>	PTY364
<b>Finishes</b>	Chrome
<b>Product Type</b>	Bath Shower Mixer
<b>1</b>	
<b>Water Pressure</b>	HP1 - 1 bar pressure minimum
<b>Standards</b>	Complies with BS5412, EN200

### Flowrates

Bar	Flow l/min
0.1	7
0.5	16
1	24
2	31
2.8	35

**Requirement** Suitable for all plumbing systems

### Guarantee & Aftercare

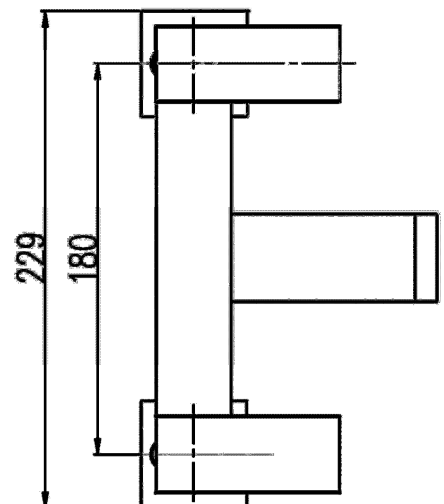
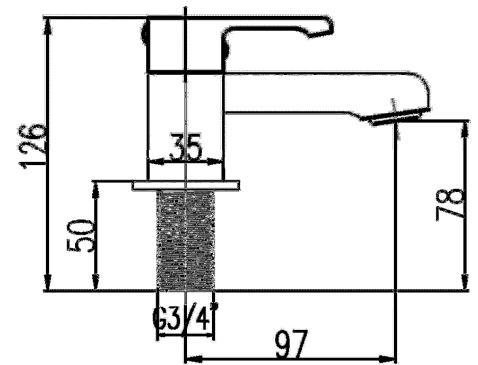
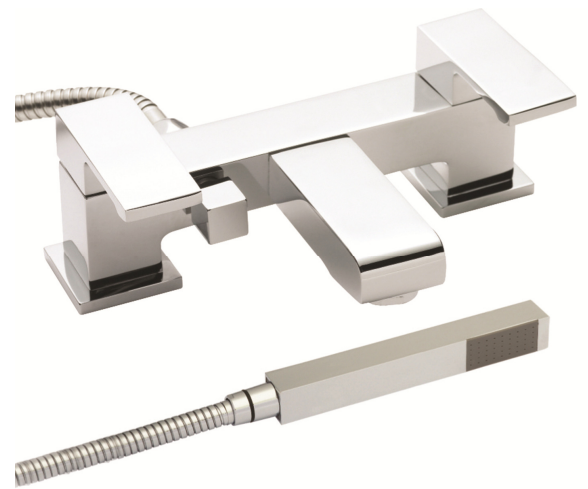
During installation extra care must be taken to avoid damaging the fittings. We provide a 5 year guarantee against faulty workmanship or materials (excluding serviceable parts), providing they have been installed, cared for and used in accordance with our instructions.

### ADDITIONAL INFORMATION

- **Ceramic Disc Technology**
- **Suitable for use with flow regulators**
- **Supplied with shower kit & wall bracket**
- 

**COMPLIANCE:** Pending  
**CUSTOMER CARE:**

For further information please call 01282 446789



### KEY TO PRODUCT PRESSURE REQUIREMENTS

LP - 0.1 bar min    LP2 - 0.2 bar min    MP - 0.5 bar min    HP1 - 1 bar min    HP2 - 2 bar min